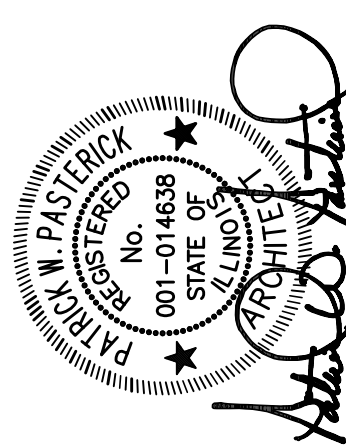


CERTIFICATION



All concepts, ideas, designs, plans and details as shown on this document are the sole property of Design Collaborative, Inc. and shall not be reproduced, stored in a retrieval system, or transmitted in any form or by any means, electronic, mechanical, photocopying, recording, or by any information storage and retrieval system, without the prior written permission of Design Collaborative, Inc.

Renovations / Addition to:
28254 Diehl Road
Warrenville, Illinois

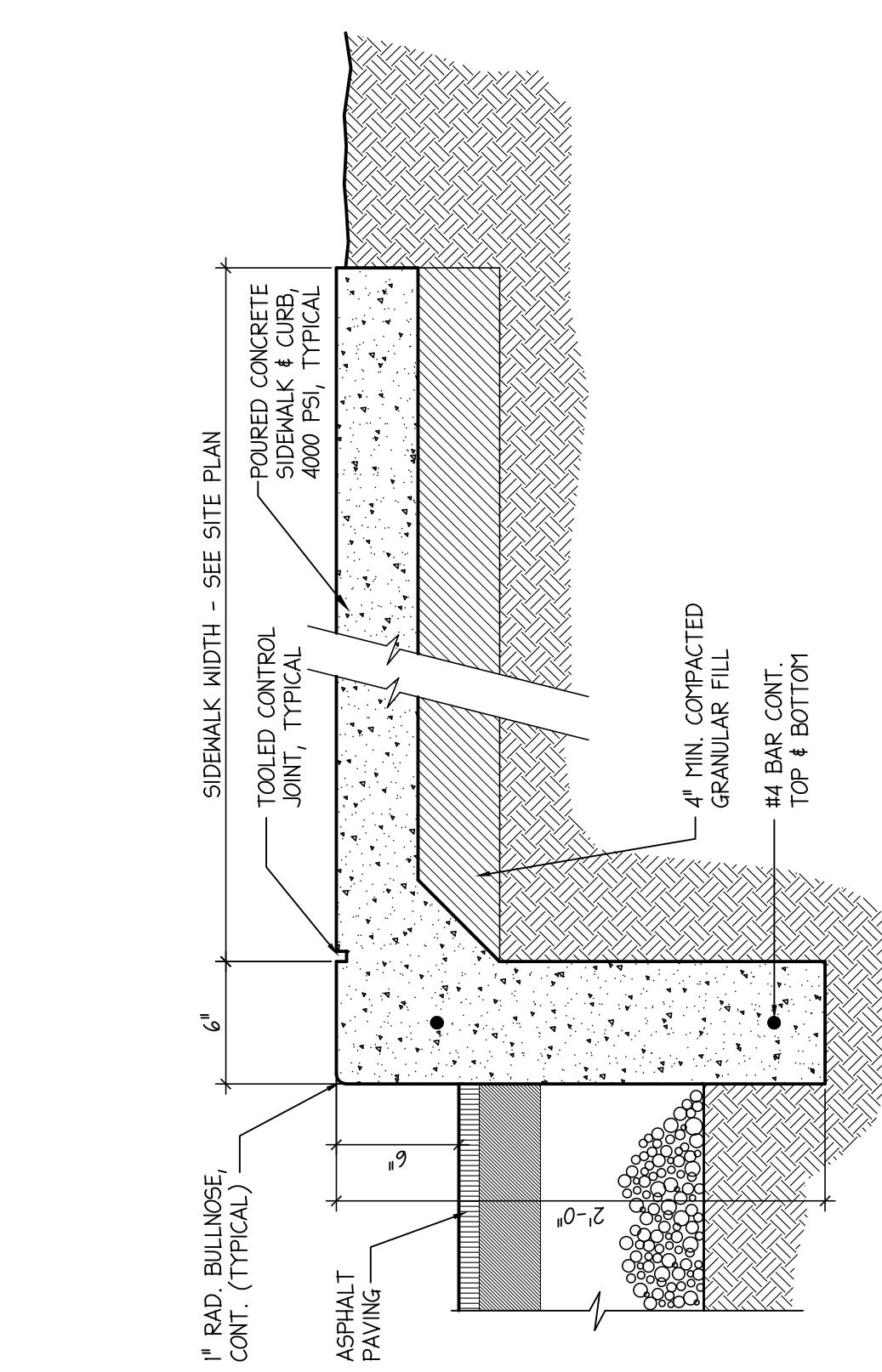


REVISION DATE BY

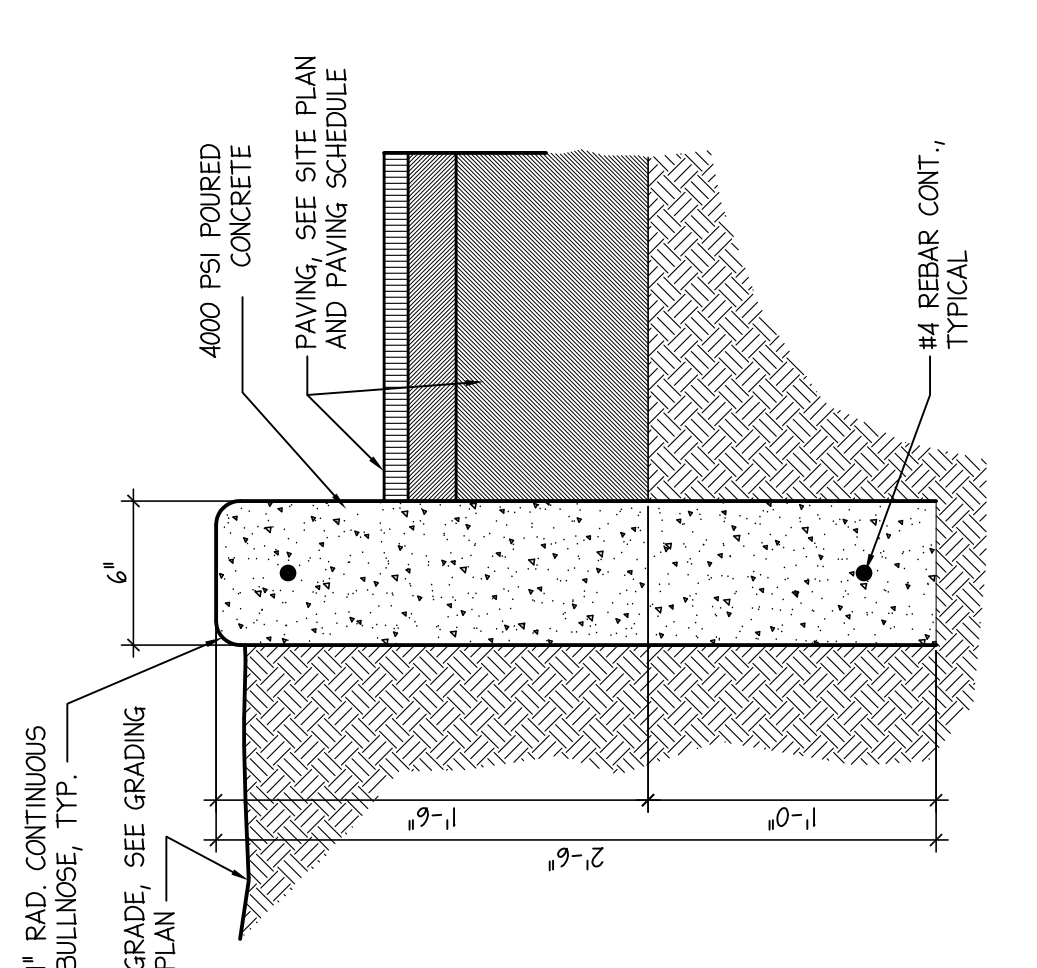
PROJECT 20110012
DATE 4/26/11 TITLE

Site Plan

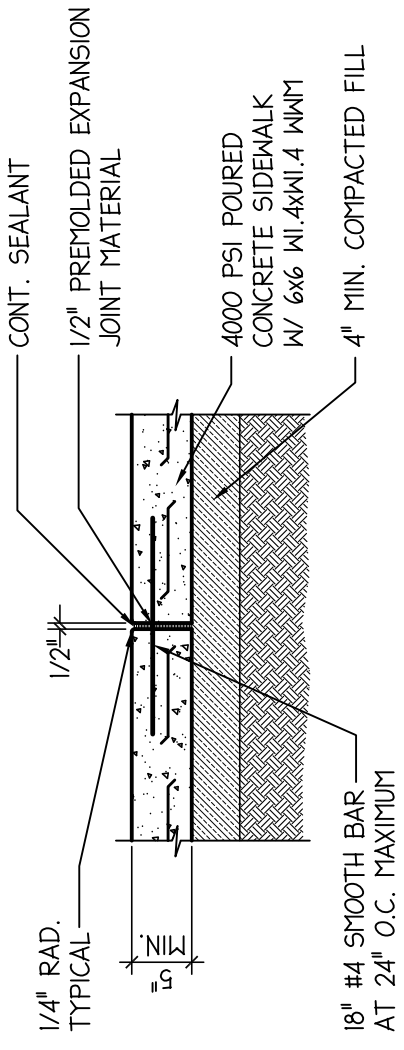
SHEET C1.1



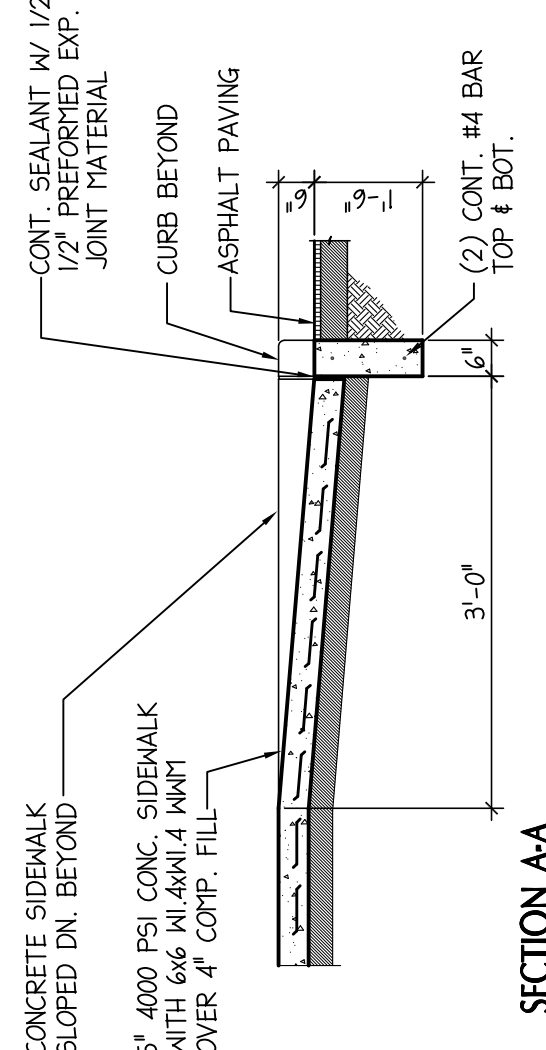
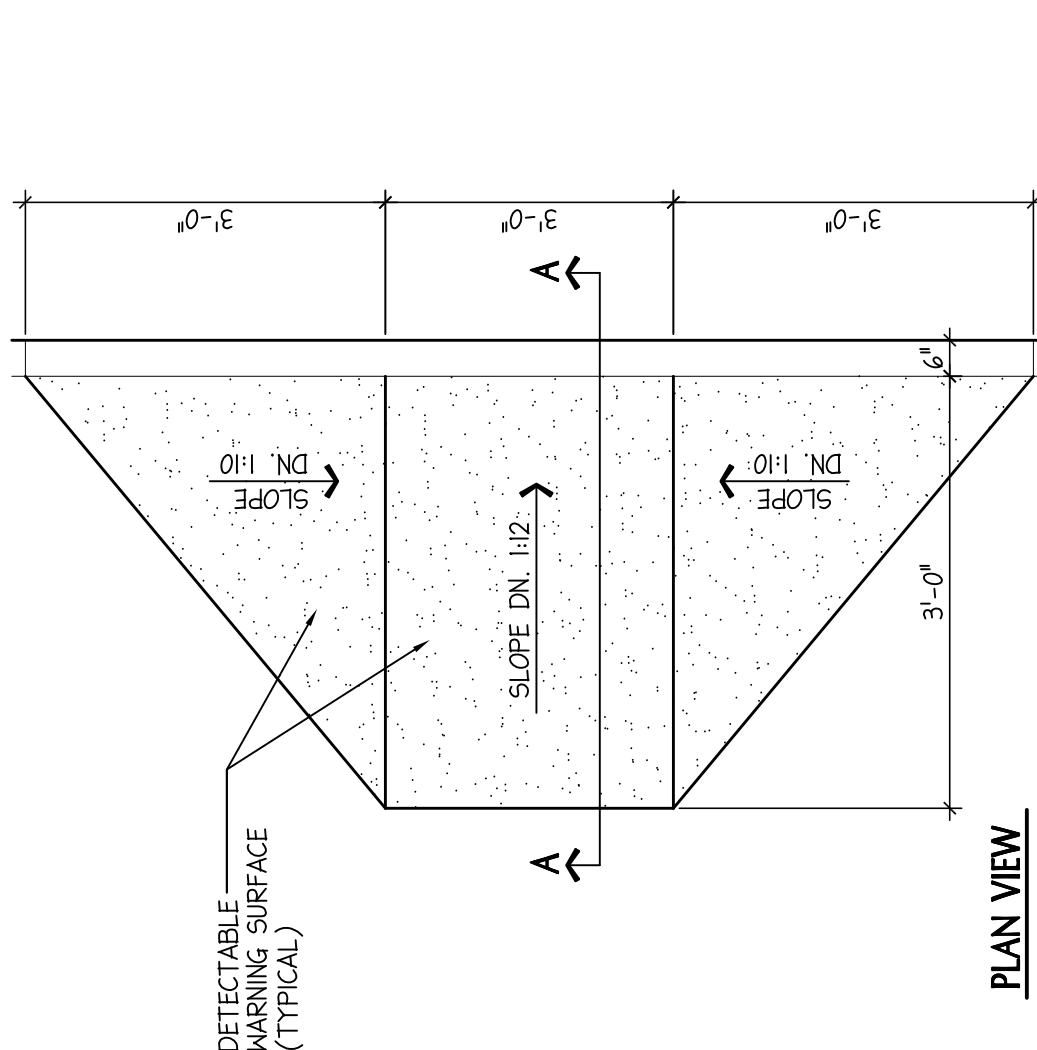
1 CONCRETE CURB DETAIL
SCALE: 1-1/2" = 1'-0"



2 CONCRETE CURB DETAIL
SCALE: 1-1/2" = 1'-0"



3 EXPANSION JOINT DETAIL
SCALE: 3/4" = 1'-0"



4 HANDICAP RAMP
SCALE: 3/8" = 1'-0"

- SITE DEMOLITION NOTES**
- CL01 NEW CONCRETE SIDEWALK AND CURB, SEE 1(C1.1)
 - CL02 NEW CONCRETE CURB, SEE 2(C1.1)
 - CL03 EXISTING CURB TO REMAIN
 - CL04 EXISTING HYDRANT TO REMAIN
 - CL05 NEW 4" CONCRETE SIDEWALK, SEE 1(C1.1)
 - CL06 EXISTING SIDEWALK TO REMAIN
 - CL07 NEW CONCRETE RAMP, SEE 4(C1.1)
 - CL08 NEW STRIPING, MATCH EXISTING COLOR
 - CL09 EXISTING LIGHT POLE TO REMAIN
 - CL10 EXISTING OUTDOOR PATIO DINING TO REMAIN
 - CL11 EXISTING PARKING STRIPING
 - CL12 EXISTING DELIVERY / TRASH DRIVE TO REMAIN

