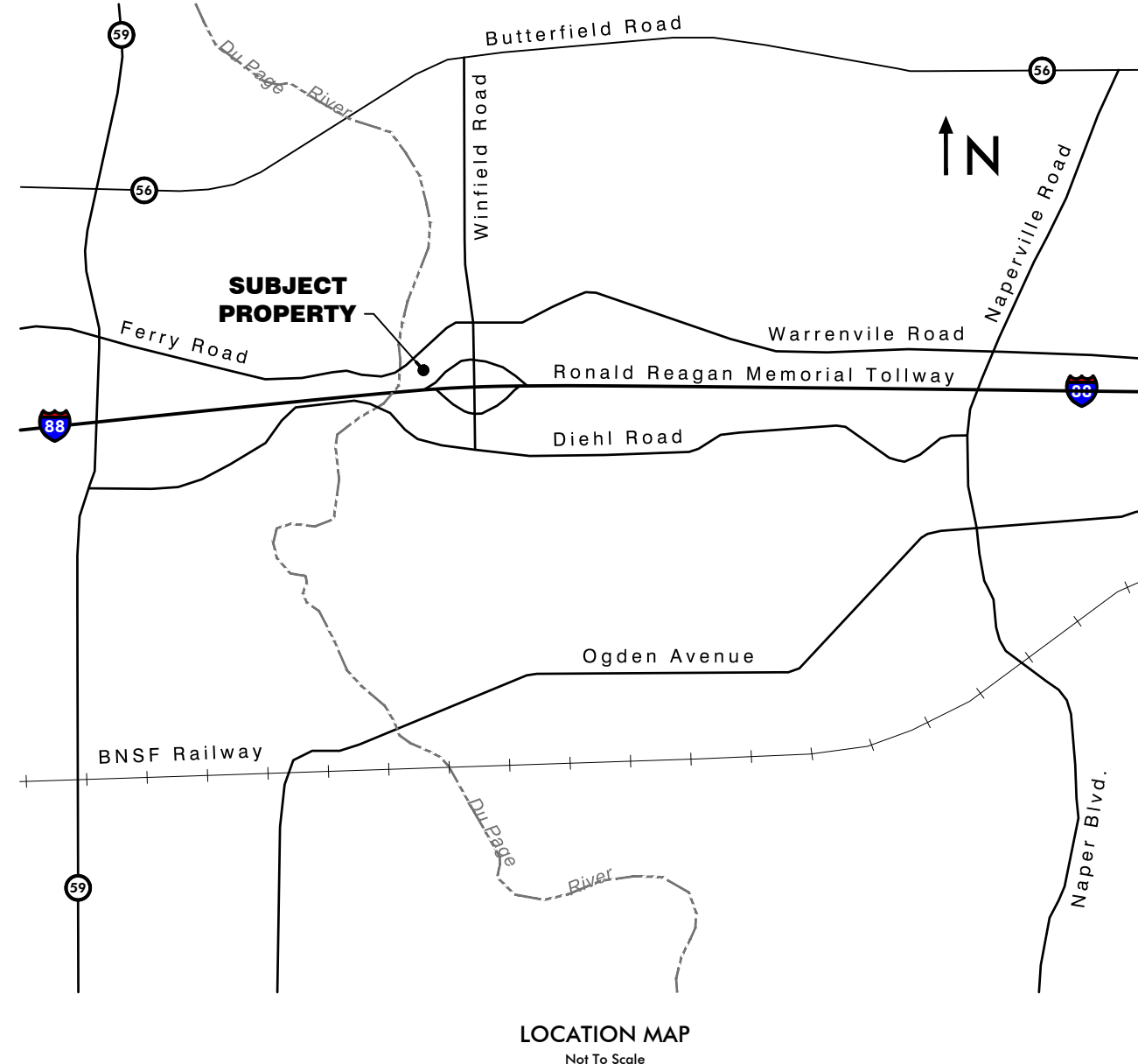
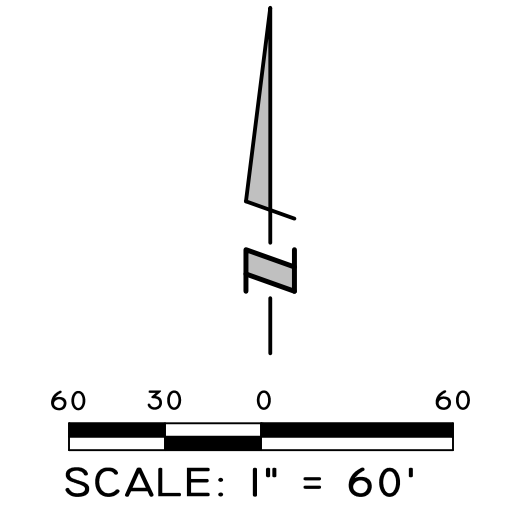


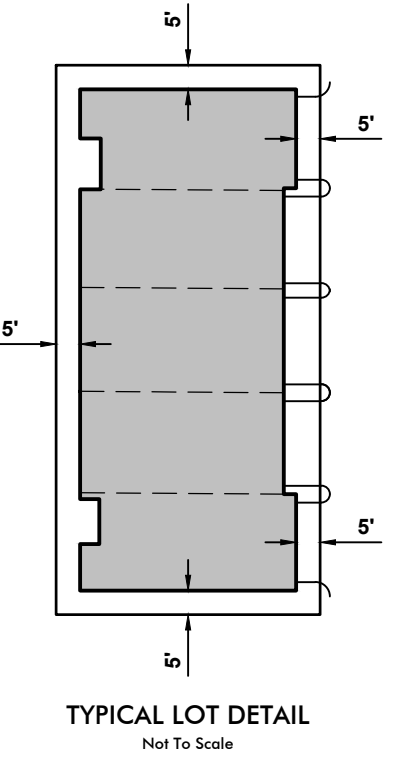
MAIL PLAT TO:
HAEGER ENGINEERING LLC
CONSULTING ENGINEERS AND LAND SURVEYORS
100 EAST STATE PARKWAY
SCHAMBURG, IL 60173

PRELIMINARY PLAT OF SUNDANCE

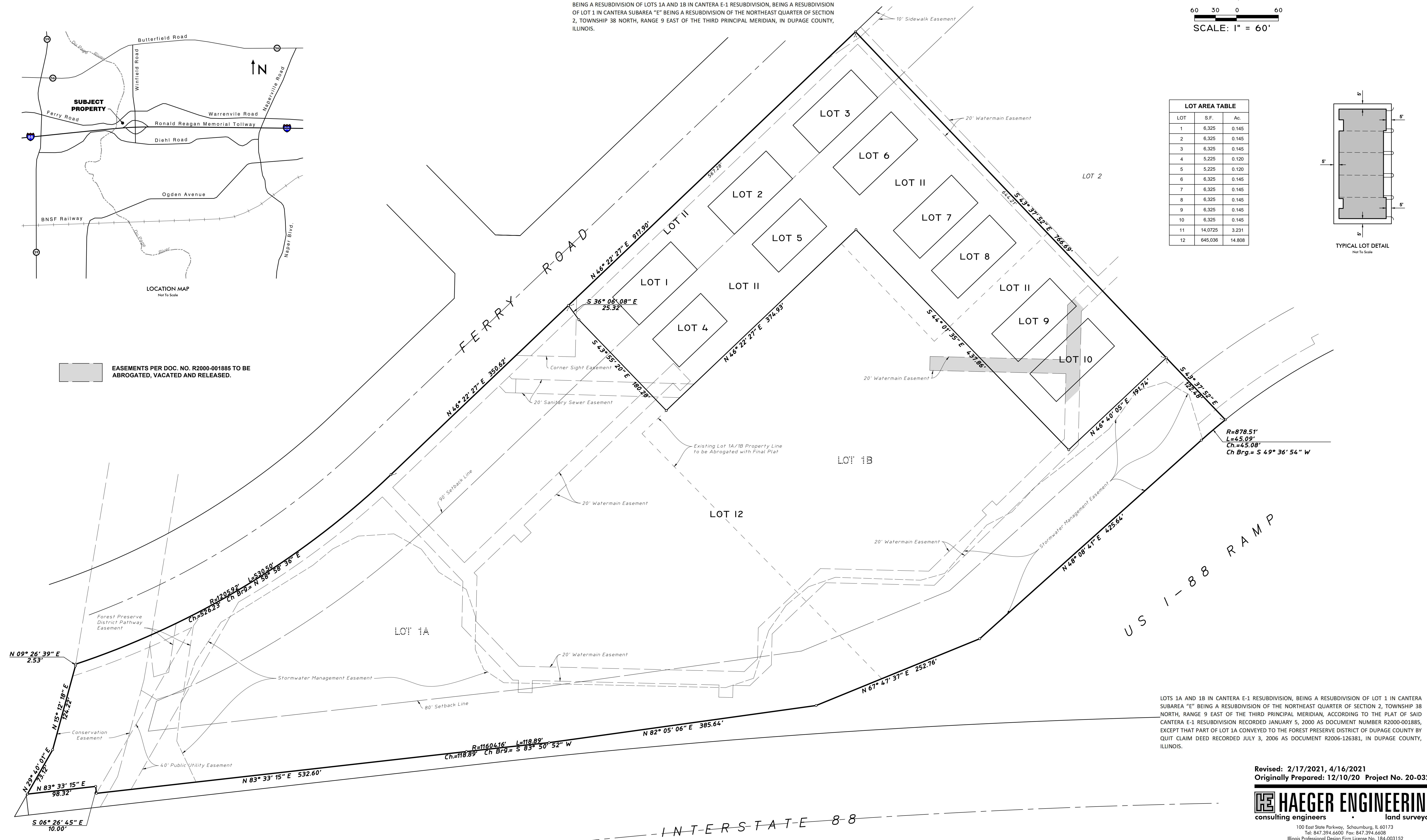
BEING A RESUBDIVISION OF LOTS 1A AND 1B IN CANTERA E-1 RESUBDIVISION, BEING A RESUBDIVISION OF LOT 1 IN CANTERA SUBAREA "E" BEING A RESUBDIVISION OF THE NORTHEAST QUARTER OF SECTION 2, TOWNSHIP 38 NORTH, RANGE 9 EAST OF THE THIRD PRINCIPAL MERIDIAN, IN DUPAGE COUNTY, ILLINOIS.



LOT AREA TABLE		
LOT	S.F.	Ac.
1	6,325	0.145
2	6,325	0.145
3	6,325	0.145
4	5,225	0.120
5	5,225	0.120
6	6,325	0.145
7	6,325	0.145
8	6,325	0.145
9	6,325	0.145
10	6,325	0.145
11	14,0725	3.231
12	645,036	14.808



EASEMENTS PER DOC. NO. R2000-001885 TO BE ABROGATED, VACATED AND RELEASED.



LOTS 1A AND 1B IN CANTERA E-1 RESUBDIVISION, BEING A RESUBDIVISION OF LOT 1 IN CANTERA SUBAREA "E" BEING A RESUBDIVISION OF THE NORTHEAST QUARTER OF SECTION 2, TOWNSHIP 38 NORTH, RANGE 9 EAST OF THE THIRD PRINCIPAL MERIDIAN, ACCORDING TO THE PLAT OF SAID CANTERA E-1 RESUBDIVISION RECORDED JANUARY 5, 2000 AS DOCUMENT NUMBER R2000-001885, EXCEPT THAT PART OF LOT 1A CONVEYED TO THE FOREST PRESERVE DISTRICT OF DUPAGE COUNTY BY QUIT CLAIM DEED RECORDED JULY 3, 2006 AS DOCUMENT R2006-126381, IN DUPAGE COUNTY, ILLINOIS.

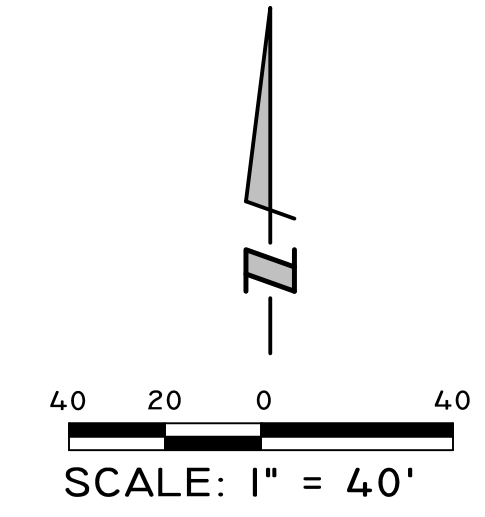
Revised: 2/17/2021, 4/16/2021
Originally Prepared: 12/10/20 Project No. 20-032

HAEGER ENGINEERING
consulting engineers • land surveyors

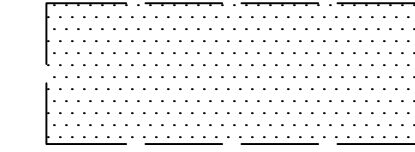
100 East State Parkway, Schaumburg, IL 60173
Tel: 847.394.6600 Fax: 847.394.6608
Illinois Professional Design Firm License No. 184-000152
www.haegerengineering.com

MAIL PLAT TO:
HAEGER ENGINEERING LLC
CONSULTING ENGINEERS AND LAND SURVEYORS
100 EAST STATE PARKWAY
SCHAMBURG, IL 60173

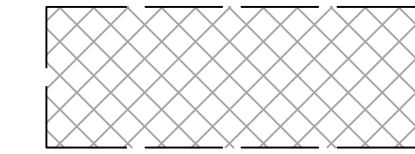
PRELIMINARY PLAT OF SUNDANCE



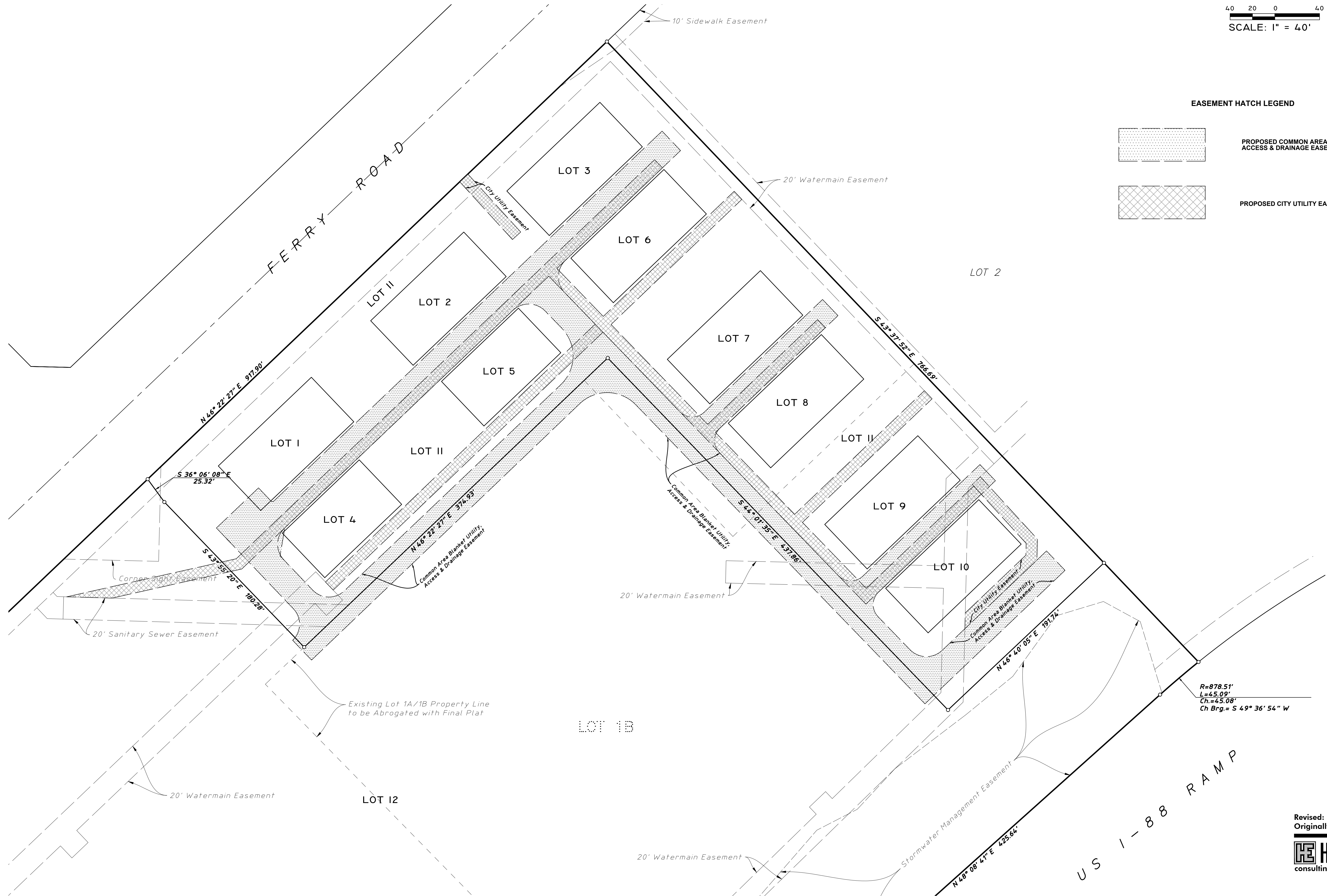
EASEMENT HATCH LEGEND



PROPOSED COMMON AREA BLANKET UTILITY,
ACCESS & DRAINAGE EASEMENT



PROPOSED CITY UTILITY EASEMENT



Revised: 3/04/2021, 4/16/2021
Originally Prepared: 12/9/2020 Project No. 20-032

HAEGER ENGINEERING
consulting engineers • land surveyors

100 East State Parkway, Schaumburg, IL 60173
Tel: 847.394.6600 Fax: 847.394.6608
Illinois Professional Design Firm License No. 184-003152
www.haegerengineering.com